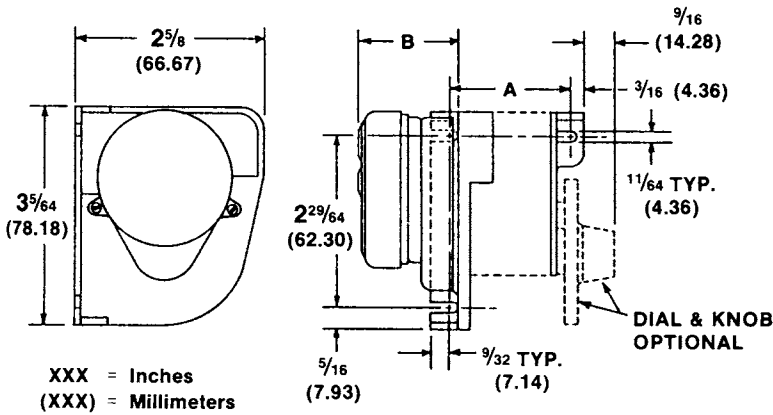


MOUNTING DIMENSIONS



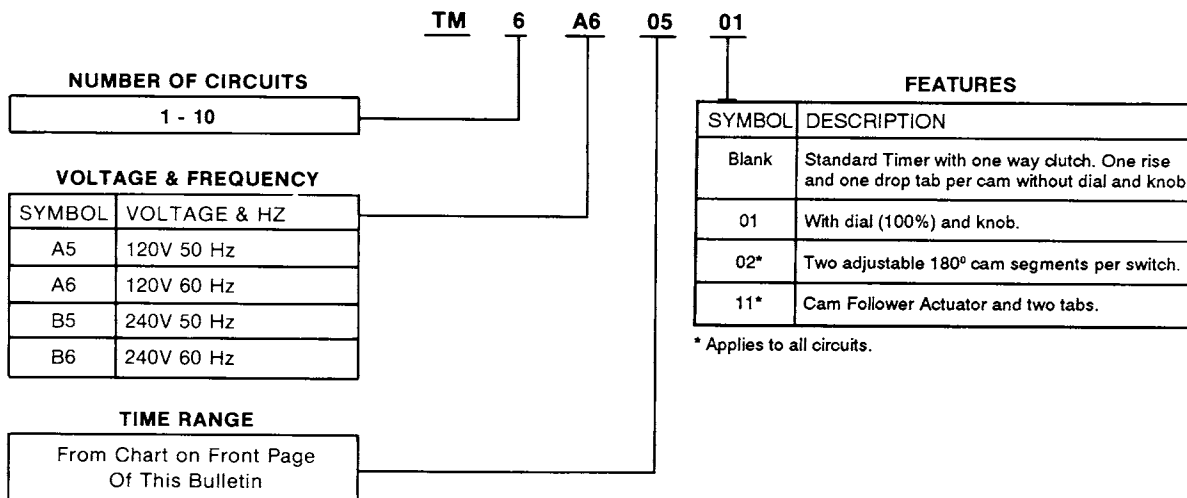
TIME RANGE CHART

SYM.	CW Motor Speed	TIME CYCLE		CAM Shaft Rotation
		Direct Drive Motor Module	10:1 Drive Motor Module	
01	10 RPM	6 Sec		CW
02	60 RPM		10 Sec	CCW
03	40 RPM		15 Sec	CCW
04	20 RPM		30 Sec	CCW
05	10 RPM		60 Sec	CCW
06	2/3 RPM	90 Sec		CW
07	1/2 RPM	120 Sec		CW
08	4 RPM		150 Sec	CCW
09	1/3 RPM	3 Min		CW
10	2 RPM		5 Min	CCW
11	1/6 RPM	6 Min		CW
12	1/10 RPM	10 Min		CW
13	1/15 RPM	15 Min		CW
14	1/2 RPM		20 Min	CCW
15	1/30 RPM	30 Min		CW
16	1/60 RPM	60 Min		CW
17	1/10 RPM		100 Min	CCW
18	1/2 RPH	120 Min		CW
19	1/15 RPM		150 Min	CCW
20	1/3 RPH	3 Hr		CW
21	1/30 RPM		5 Hr	CCW
22	1/6 RPH	6 Hr		CW
23	1/60 RPM		10 Hr	CCW
24	1/2 RPH		20 Hr	CCW
25	1/3 RPH		30 Hr	CCW
26	1/6 RPH		60 Hr	CCW
27	1/2.4 RPH		24 Hr	CCW
67	1/8 RPH		8 Hr	CW

No. of Switches	NUMBER OF CIRCUITS				
	1	2	3	4	5
Dimension "A"	1-9/32 (32.53)	1-25/32 (43.23)	2-9/32 (57.93)	2-25/32 (70.63)	3-9/32 (83.33)
No. of Switches	6	7	8	9	10
Dimension "A"	3-25/32 (96.03)	4-9/32 (108.73)	4-25/32 (121.43)	5-9/32 (134.13)	5-25/32 (146.83)
Dimension "B" Motor Depth	Time Symbols 01 - 05 Maximum - 1-1/2 (38.10) Time Symbols 06 - 25 Maximum - 1-5/8 (41.53)				

For parts list, request Bulletin 345-E

ORDERING INFORMATION



6
ELECTRIC
TIMERS